



Insulated Structures

Efficiency At Work

CURVATURE - GOURMET



Standard Specifications	
• Flat Bottom Pan	• Valves (Brass Thermostatic)
• Cladding as per Price Structure	• 2 x Probes (Air Off and Defrost)
• Rear Sliders	• Shaded Pole Fans
• Powder Coated Cladding	• Standard Coil

Optional Specifications
• 20mm Glass Patch Ends
• Solid Colour Coded Patch Ends
• 1x200mm Glass Shelf with LED Lights
• ECM Fans
• Electronic Valves
• Cladding Options: Refer to Cladding Details Document (Available on Request)
• Self-Contained Units, available up to 8ft, with no dimensional changes.

Available in Remote and Self-Contained

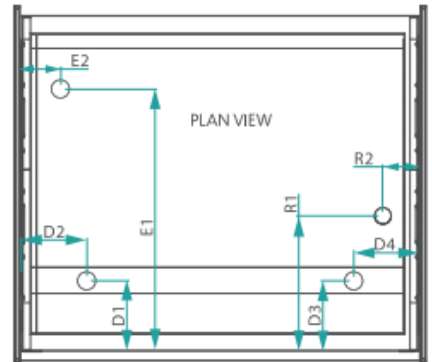
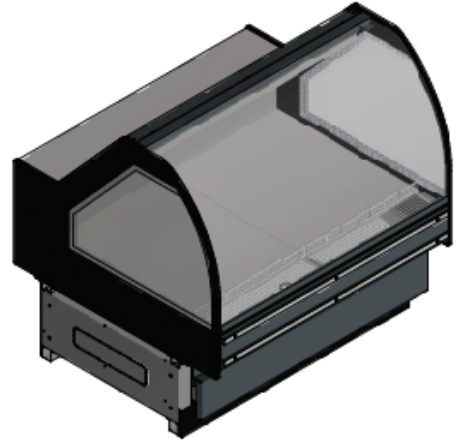
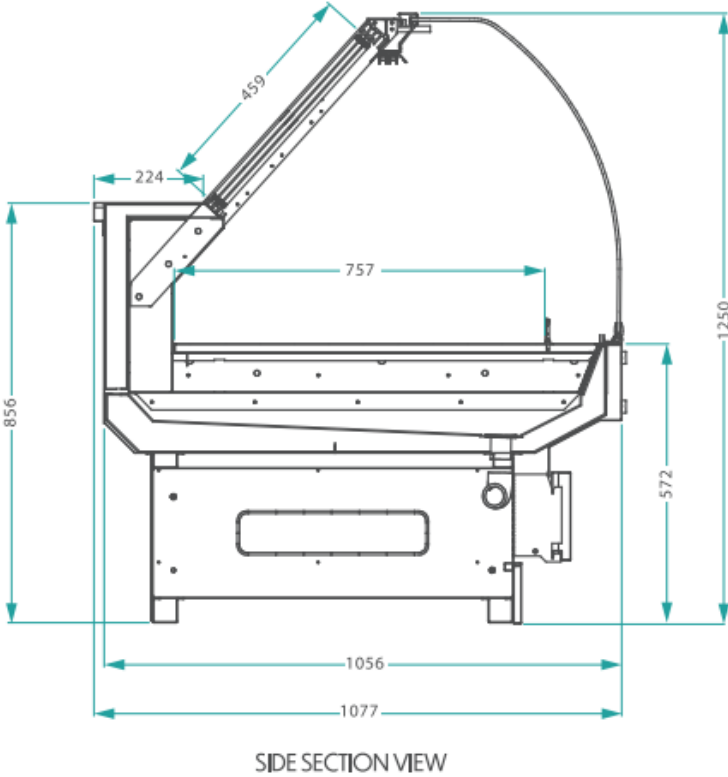
Leaders in world class innovation for bespoke end to end energy efficient refrigeration solutions



Insulated Structures

Efficiency At Work

CURVATURE - GOURMET



Physical Properties		
Size	Length (m)	TDA (m ²)
4ft	1.220	0.76
6ft	1.830	1.15
8ft	2.440	1.52
12ft	3.660	2.29

Drain and Refrigeration Points							
D1	D2	D3	D4	E1	E2	R1	R2
230mm	609mm	-	-	800mm	110mm	400mm	110mm
230mm	914mm	-	-	800mm	110mm	400mm	110mm
230mm	609mm	230mm	609mm	800mm	110mm	400mm	110mm
230mm	600mm	230mm	609mm	800mm	110mm	400mm	110mm

Refrigeration Requirements	
Refrigeration	Evaporation Temp
110W/ft	-8°C

Electrical Specifications		
Evaporator Fans Fan Motor + Motor	Heaters Defrost	Lighting Case (Meat LED)
1xØ154-28°/36W (SPM) or 24W (ECM)	1x1800W	2x21W
1xØ154-28°/36W (SPM) or 24W (ECM)	1x1300W	2x31W
1xØ154-28°/36W (SPM) or 24W (ECM)	1x1600W	4x21W
2xØ154-28°/36W (SPM) or 24W (ECM)	2x1200W	6x21W

Leaders in world class innovation for bespoke end to end energy efficient refrigeration solutions